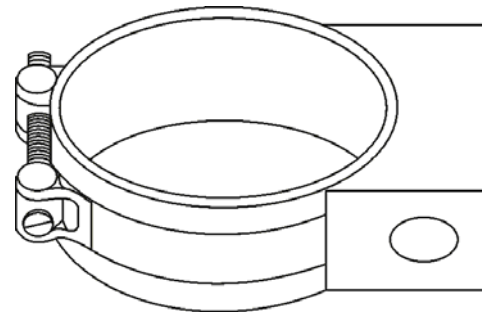


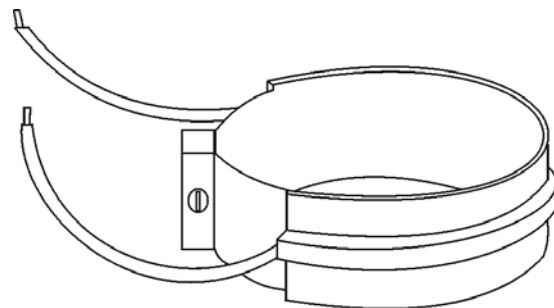
Heat elements add heat to oil separators to prevent migration of refrigerant to the vessel during off cycles of the compressor. Heat elements can also be used on suction line accumulators to warm the oil and allow oil return to the compressor on low temperature applications.



J-Series



S-9101



Catalog Number	Diameter in Inches	Wattage	Volts
S-9101	4	25	110
S-9111	4	25	220
S-9112	6	50	220
S-9112J	6	50	240
S-9113J	4	25	120
S-9114J	4	25	240
S-9115J	2 1/2	25	120
S-9101	4	25	110
S-9111	4	25	220
S-9112	6	50	220