

OIL LEVEL REGULATOR

Adaptor Kits



3-033-201 included with all oil level regulators from Henry Technologies. The kit consists of two o-rings, one quad ring, bolts and nuts.

Note: All adapters with sight glass pattern different from 3 bolt 1 7/8" BC, include one 3 bolt 1 7/8" BC standard adapter kit.

Where an extra length is needed to clear obstructions, use either 3-033-212 (2.59" long) or 3-033-254 (3.25" long).

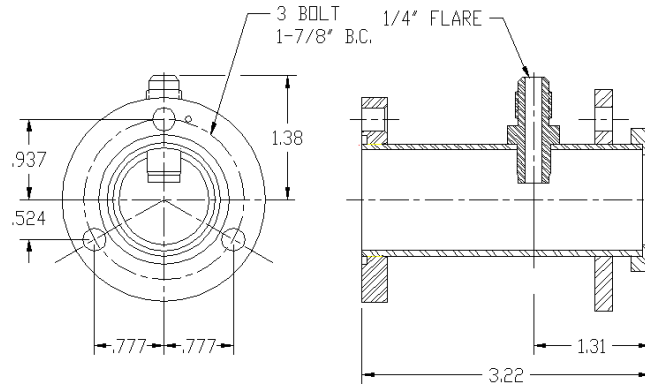
+ Do not operate **ANY** regulator at 1/4 sight glass when using an adapter with an inside diameter smaller than the regulator flange port.

Compressor Manufacturer	Model Number	Recommended Oil	Sight Glass Configuration	Henry Kit Number
Bitzer	—	1/2 Glass	4 bolt 50mm BC	3-033-253
Bock	AM,F	1/2 Glass	4 bolt 1 31/32" BC	3-033-244
Bristol	—	1/2 Glass	15/16"-20 Thread	3-033-242
Carrier Carlyle	10 hp & under: DA,DR,5F,06D,06CC	1/4 Glass	1 1/2"-18 Thread	3-033-204
Carrier Carlyle	15 hp & over: EA,ER,06E,06CC	1/4 Glass	3 bolt 1 7/8" BC	3-033-201*
Copeland	Under 5 tons: Copelametic HA,KA,EA,3A,LA,ER,3R	1/2 Glass	1 1/8"-12 Thread	3-033-202
Copeland	Discus,2D,3D,4D,6D,9D,4R,6R,9D,9R,MD,MR,NR	1/4 Glass	3 bolt 1 7/8" BC	3-033-201*
Copeland	Older model	1/4 Glass	4 bolt 2 1/8" BC	3-033-207
Copeland	8R,8D	1/4 Glass	3 bolt 1 7/8" BC	3-033-212
Copeland	8DP3	1/4 Glass	3 bolt 1 7/8" BC	3-033-254
Copeland	Scroll	1/2 Glass	3/4" NPT	3-033-218
Dunham-Bush	Big 4	1/2 Glass	3 bolt 1 7/8" BC	3-033-201*
Dunham-Bush	D	1/2 Glass	4 bolt 2 1/8" BC	3-033-203
Frascold	All models	1/2 Glass	3 bolt 1 7/8" BC	3-033-201*
Grasso Thermtrol	—	1/2 Glass	1" NPT	3-033-228
Maneurop	All models	1/2 Glass	1 1/8"-18 Thread	3-033-246
Prestcold	K	1/2 Glass	1 1/8"-12 Thread	3-033-202
Prestcold	C,E,R,L,LG	1/2 Glass	42mm Thread	3-033-216
Schnacke-Grasso	—	1/2 Glass	2"-16 Thread	3-033-205
Schnacke-Grasso	—	1/2 Glass	1 1/4" NPT	3-033-219
Tecumseh	P,R,S,PA,RA,SA,CK,CM,CH,CG	1/2 Glass	1 1/8"-12 Thread	3-033-202
Trane	M,R	1/2 Glass	3 bolt 1 7/8 BC	3-033-201*
Trane	—	1/2 Glass	5 bolt 2 1/2 BC	3-033-206
Trane	K	1/2 Glass	3/4" NPT	3-033-218
Vilter	—	1/2 Glass	1 1/2" NPT	3-033-208
Vilter	—	1/2 Glass	2" NPT	3-033-209
York	GC,GS,JS	1/2 Glass	3 bolt 1 7/8 BC	3-033-201*
York	—	1/2 Glass	1" NPT	3-033-228
Any	1/4" Flare Equalization Extension (3.22" long)	1/2 Glass	3 bolt 1 7/8 BC	3-033-221
Any	3/8" Flare Equalization Extension (3.23" long)	1/2 Glass	3 bolt 1 7/8 BC	3-033-227
Pattern not Listed	Universal Adapter Kit	Any	1 1/4" OD Steel Tube	3-033-217



Equalization Adapter Kit 3-033-226

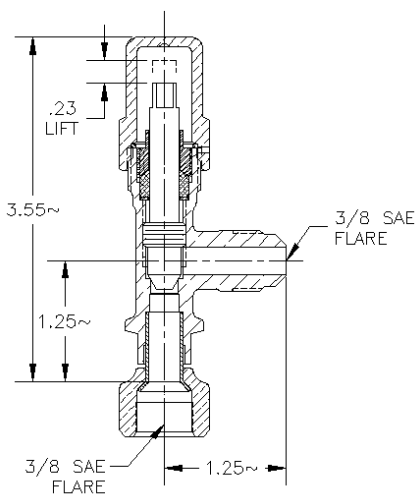
This kit, with its 1/4" male flare connection, allows non-equalized Oil Level Regulators to be interconnected (equalized) at a fraction of the costs of replacing the regulators of an existing system. The kit comes with all the necessary hardware to mount it to the oil level regulator and compressor.



Shut-Off Brass Valves

These brass valves are designed to mount on the oil inlet connections and equalization line connections of our oil level regulators and oil separator return fittings. The valves allow each oil level regulator to be isolated if service is required on a compressor, oil level regulator, oil line filter-drier, or strainer. All models have a female swivel connection which allows 360° positioning of the male connection for most convenient mounting of oil line or equalization lines.

VERICAL TYPE, S-9106V



HORIZONTAL TYPE, S-9106H

