

CHECK VALVES

Globe Design



Type 205

Features:

- **General construction:** Valve body: cast bronze; bonnets: forged brass; Teflon® seat
- **Internal parts** can be easily removed to prevent damage when soldering valve into line
- **Minimum opening pressure:** 0.5 lbs.
- **All valves 7/8" through 1-3/8"** can be easily installed in any position except bonnet down; Valves 1-5/8" and larger must be bonnet up position
- **Maximum working pressure:** 500 PSI (35 Kg/cm²)
- **Temperature rating:** -20°F (-29°C) to +300°F (+149°C)
- **Suitable** for refrigerants and other industrial fluids non-corrosive to brass and steel
- **Recognized under** the component program of Underwriters' Laboratories, Inc. and Canadian Standards Association



Type 116

Features:

- **Brass construction** with Teflon® seat
- **Remove piston** before brazing body into line
- **Can be installed** in any position except bonnet down
- **Maximum working pressure:** 500 PSI (35 Kg/cm²)
- **Temperature rating:** -40°F (-40°C) to +300°F (+149°C)
- **Suitable** for high side or low side installation, and hot gas applications
- **Recognized** under the component program of Underwriters' Laboratories, Inc. and Canadian Standards Association
- **Minimum opening pressure** 0.5 P.S.I. with standard spring

Valve Details				R404A		
Cat. No.	Size	Style	CV	Liquid Lines	Suction Vapor	Hot Gas
				Tons R	Tons R	CFM
205-7/8	7/8 O.D.S.	Globe, Bolted Bonnet	5.2	8.4	0.5	37.0
205-1-1/8	1-1/8 O.D.S.	Globe, Bolted Bonnet	7.2	11.7	1.0	51.3
205-1-3/8	1-3/8 O.D.S.	Globe, Bolted Bonnet	10.06	16.3	2.0	71.6
205-1-5/8	1-5/8 O.D.S.	Globe, Bolted Bonnet	13	21.1	3.3	92.6
205-2-1/8	2-1/8 O.D.S.	Globe, Bolted Bonnet	21.5	34.9	9.1	153.1
205-2-5/8	2-5/8 O.D.S.	Globe, Bolted Bonnet	35.7	58.0	25.1	254.3
116003	3/8 O.D.S.	Y Type Screwed Bonnet	1.5	2.4	0.04	10.7
116004	1/2 O.D.S.	Y Type Screwed Bonnet	3.08	5.0	0.19	21.9
116005	5/8 O.D.S.	Y Type Screwed Bonnet	3.88	6.3	0.30	27.6
116007	7/8 O.D.S.	Y Type Screwed Bonnet	8.26	13.4	1.35	58.8

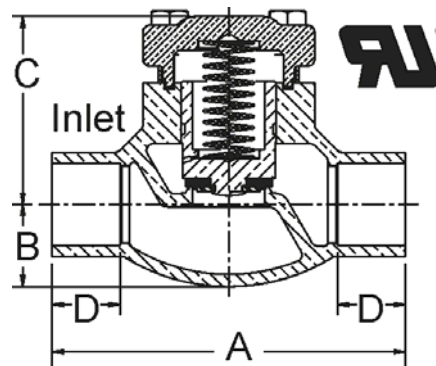
Based on 100°F Condensing and -40°F Evaporating

CHECK VALVES

Globe Design

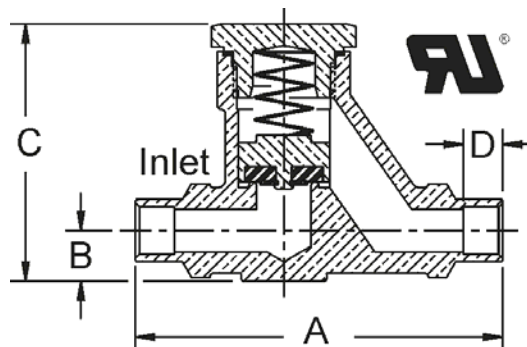


Type 205



Catalog Number	Size Connection	Dimensions in Inches				Weight lbs.
		A	B	C	D	
205-7/8	7/8" O.D.S.	4.25	.97	3.16	.75	2.73
205-1-1/8	1-1/8" O.D.S.	4.88	1.14	3.88	.94	4.41
205-1-3/8	1-3/8" O.D.S.	5.38	1.25	4.25	1.00	6.04
205-1-5/8	1-5/8" O.D.S.	6.50	1.50	5.06	1.13	9.32
205-2-1/8	2-1/8" O.D.S.	8.50	2.00	5.88	1.50	17.10
205-2-5/8	2-5/8" O.D.S.	11.00	2.25	6.88	1.69	27.43

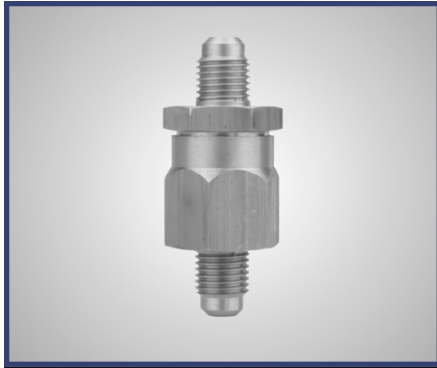
Type 116



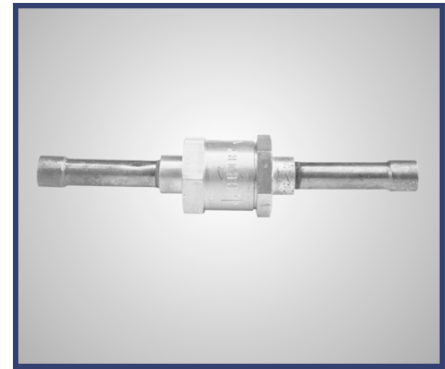
Catalog Number	Size Connection	Dimensions in Inches				Weight lbs.
		A	B	C	D	
116003	3/8" O.D.S.	2.94	.41	2.06	.31	.53
116004	1/2" O.D.S.	2.94	.14	2.06	.38	.51
116005	5/8" O.D.S.	2.94	.14	2.06	.50	.48
116007	7/8" O.D.S.	3.88	.63	2.94	.88	2.04

CHECK VALVES

Straight Through Design



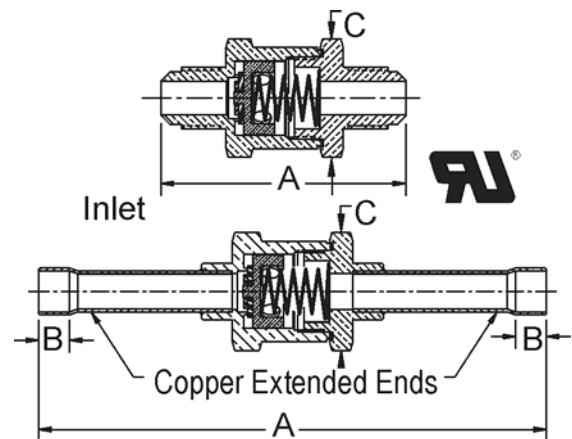
Type 119



Type 120

Features:

- Brass construction with synthetic rubber seat
- Can be installed in any position
- Maximum working pressure: 500 PSI (35 Kg/cm²)
- Temperature rating: -20°F (-29°C) to +200°F (+93°C)
- Standard spring: 0.5 p.s.i.
- Synthetic rubber seat
- Suitable for refrigerants and other industrial fluids non-corrosive to brass, copper and synthetic rubber



NOT SUITABLE FOR DISCHARGE LINES OF RECIPROCATING COMPRESSORS

Catalog Number	Size Connection	Dimensions in Inches			Weight lbs.	Piston Assembly	Spring	Gasket
		A	B	C				
119-1/4	1/4 FL.	2.26	—	.81	.22	8-058-017	5-041-029	5-23-101
119-3/8	3/8 FL.	2.51	—	.81	.26	8-058-017	5-041-029	5-023-101
119-1/2	1/2 FL.	3.00	—	1.25	.28	8-058-019	5-041-030	5-023-001
120-3/8	3/8 O.D.S.	5.25	.31	.81	.28	8-058-017	5-041-029	5-023-101
120-1/2	1/2 O.D.S.	6.34	.38	1.25	.57	8-058-019	5-041-030	5-023-001
120-5/8	5/8 O.D.S.	6.28	.50	1.25	.64	8-058-019	5-041-030	5-023-001
120-7/8	7/8 O.D.S.	6.44	.75	1.50	1.06	8-058-018	5-041-036	5-023-102