

# RECEIVER VALVES

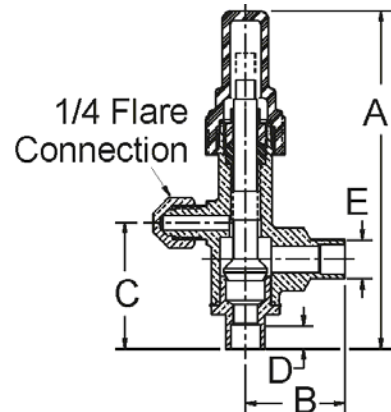
Packed, Angle Type, Back-Seating



**Features:**

- **Forged Brass Bodies**
- **Seal caps:** Molded Valox, brass flare
- **Stems:** plated steel black oxidized
- **Temperature Range:** -20°F(-29°C) to +300°F (+149°C)
- **Maximum cold working pressure:** 500 PSI (35 Kg/cm<sup>2</sup>)
- **Suitable for refrigerants** and other industrial fluids non-corrosive to steel and brass
- **Connection:** 1/4" flare above the back seat is furnished with brass flare cap for type No. 783 valves only

Type 779-B, Type 783, Back-Seating



Catalog Number	Size Connection		Dimensions in Inches					Weight lbs.
	Bottom	Side	A	B	C	D	E	
7792-B	1/2" M.P.T.	1/2" FL.	4.88	1.28	1.69	.38	1/2"	.62
7793-B	1/2" M.P.T.	5/8" FL.	4.88	1.53	1.69	.38	1/2"	.69
7830		3/8" O.D.S.	4.34	1.28	1.16	.31	—	.54
7831		1/2" O.D.S.	4.47	1.28	1.25	.38	—	.54
7832		5/8" O.D.S.	4.58	1.25	1.41	.50	—	.54
7833		7/8" O.D.S.	5.44	1.75	1.69	.75	—	1.06
7834		1-1/8" O.D.S.	7.10	1.75	2.00	.94	—	1.83
7835		1-3/8" O.D.S.	7.42	2.00	2.25	1.00	—	2.40
7836		1-5/8" O.D.S.	9.14	2.13	2.44	1.09	—	3.53

# RECEIVER VALVES

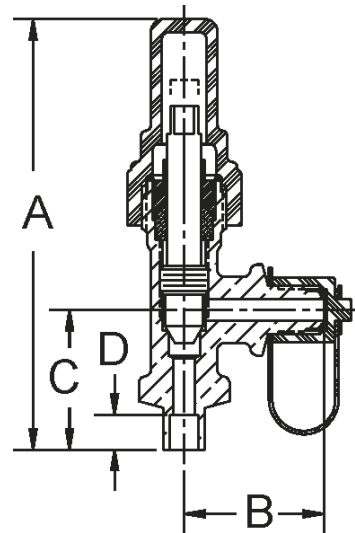
Packed Angle Type, Charging & Purging



## Features:

- **Forged Brass Bodies**
- **Seal Caps:** Molded valox, brass flare
- **Stems:** plated steel black oxidized
- **Temperature Range:** -20°F(-29°C) to +300°F(+149°C)
- **Maximum cold working pressure:** 500 PSI (31 Kg/cm<sup>2</sup>)
- **Suitable for refrigerants** and other industrial fluids non-corrosive to steel and brass
- **Valves furnished disassembled** to avoid excessive heating of internal parts during brazing

Type 927, Non Back-Seating



Catalog Number	Size Connection		Dimensions in Inches				Weight lbs.
	Bottom	Side	A	B	C	D	
9270	1/4" O.D.S.	1/4" FL.	3.88	1.25	1.25	.31	.40
9271	3/8" O.D.S.	1/4" FL.	3.88	1.25	1.25	.31	.40
9272	3/8" O.D.S.	3/8" FL.	3.88	1.25	1.25	.31	.46
9273	1/2" O.D.S.	1/4" FL.	3.88	1.25	1.25	.38	.40
9274	1/2" O.D.S.	3/8" FL.	3.88	1.25	1.25	.38	.46

# RECEIVER VALVES

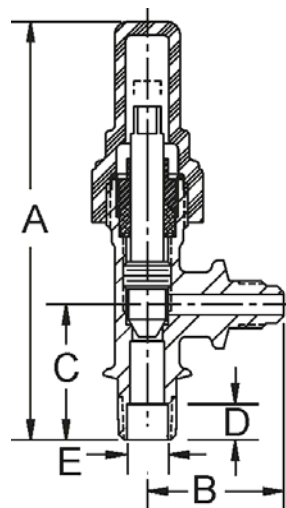
Packed Angle Type, Non Back-Seating



### Features:

- Forged brass bodies
- Seal Caps: Molded valox, brass flare
- Stems: plated steel black oxidized
- Temperature Range: -20°F(-29°C) to +300°F(+149°C)
- Maximum cold working pressure: 500 PSI (35 Kg/cm<sup>2</sup>)
- Suitable for refrigerants and other industrial fluids non-corrosive to steel and brass

Type 776-B,  
Non Back-Seating



Catalog Number	Size Connection		Dimensions in Inches					Weight lbs.
	Bottom	Side	A	B	C	D	E	
7761-B	1/4" M.P.T.	1/4" FL.	3.80	1.25	1.25	.31	1/4" O.D.S.	.35
7771-B	1/4" M.P.T.	1/4" F.P.T.	3.80	1.25	1.25	.31	5/16" O.D.S.	.35
7763-B	1/4" M.P.T.	3/8" FL.	3.80	1.25	1.25	.31	5/16" O.D.S.	.35
7764-B	3/8" M.P.T.	1/4" FL.	3.80	1.25	1.25	.31	3/8" O.D.S.	.35
7766-B	3/8" M.P.T.	3/8" FL.	3.80	1.25	1.25	.31	3/8" O.D.S.	.35
7767-B	3/8" M.P.T.	1/2" FL.	3.80	1.25	1.25	.31	3/8" O.D.S.	.40
7768-AB	1/2" M.P.T.	3/8" FL.	3.94	1.25	1.38	.31	1/2" O.D.S.	.59
7768-B	1/2" M.P.T.	5/8" FL.	4.56	1.62	1.38	.31	1/2" O.D.S.	.91