

SHUT-OFF VALVES

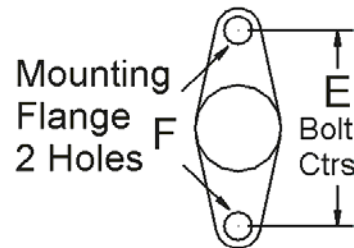
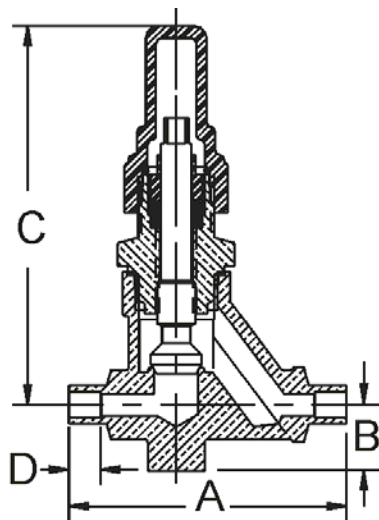
Back-Seating Design



Features:

- **Forged Brass Bodies**
- **Valve Bonnets:** Brass
- **Seal caps:** Molded Valox
- **Stems:** plated steel
- **Temperature Range:** -20°F(-29°C) to +300°F (+149°C)
- **Maximum cold working pressure:** 500 PSI (35 Kg/cm²)
- **Flanges:** integral mounting
- **Suitable for refrigerants** and other industrial fluids non-corrosive to steel and brass
- **Recommended** for hot gas service or other high temperature applications.

Type 926,
Back-Seating



Catalog Number	O.D.S. Connection	Dimensions in Inches						Weight lbs.
		A	B	C	D	E	F	
9261	1/4"	2.69	.66	4.35	.31	1.63	.28	.79
9263	3/8"	3.00	.66	4.35	.38	1.63	.28	.81
9264	1/2"	3.19	.66	4.35	.44	1.63	.28	.80
9265	5/8"	3.38	.66	4.35	.52	1.63	.28	.79