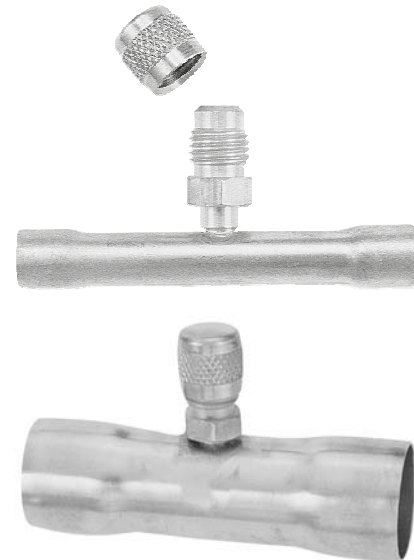
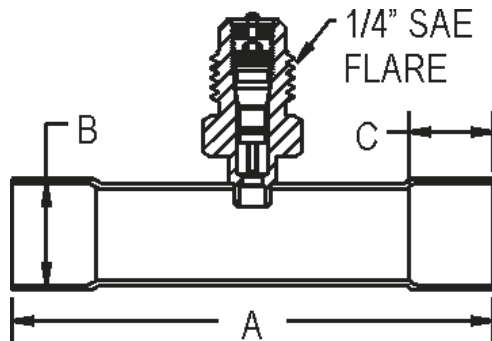


## AVT / AVW Series

- Standard 1/4" SAE Male Flare Connections
- Built in Valve Core and Brass Caps



Product Type	Catalog Number	Qty.	Catalog No. (100 Pack)	A In Inches	B In Inches	C In Inches	Product Description & Size
AVT-4	F6222	(3)	F6283	2 3/4	1/4	N/A	1/4" OD Tube or 3/8" Solder
AVT-5	F6223	(3)	N/A	2 15/16	5/16	N/A	5/16" OD Tube or 3/8" Solder
AVT-6	F6224	(3)	F6191	3	3/8	5/16	3/8" OD Tube or 1/2" Solder
AVW-8	F6241	(2)	N/A	2 1/2	1/2	7/16	1/2" OD x tube x 1/4" MF
AVW-10	F6244	(2)	N/A	2 1/2	5/8	1/2	5/8"OD x tube x 1/4"MF
AVW-12	F6245	(2)	N/A	2 3/4	3/4	5/8	3/4"OD x tube x 1/4" MF
AVW-14	F6246	(1)	N/A	3	7/8	3/4	7/8"OD x tube x 1/4" MF

## PS/PSMC Series Pressure Controls

- Used as Cycling or Safety Devices w/18 Inch Wire Leads
- 1/4" SAE Female Connection
- Hermetically Sealed



Product Type	Catalog Number	Pressure Open/Close	Reset Type	MWP	Product Type	Catalog No.	Pressure Open/Close	Reset Type	MWP
PS-LP05-20	F5731	5/20 PSI	Auto	250	PS-HP300-200	F5733	300/200 PSI	Auto	600
PS-LP10-25	F5699	10/25 PSI	Auto	250	PS-HP350-250	F5679	350/250 PSI	Auto	600
PS-LP25-50	F5732	25/50 PSI	Auto	250	PS-HP400-300	F5680	400/300 PSI	Auto	600
PS-LP25-80	F5677	25/80 PSI	Auto	500	PS-HP400-200	F5681	400/200 PSI	Auto	600
PS-LP40-80	F5678	40/80 PSI	Auto	500	PS-HP450-250	F5682	450/250 PSI	Auto	600
PS-HP200-150	F5708	200/150 PSI	Auto	500	PSMF-HP410	F5709	—	Manual	—
PS-HP250-150	F5711	250/150 PSI	Auto	500	PSMC-HP440	F5710	—	Manual	—