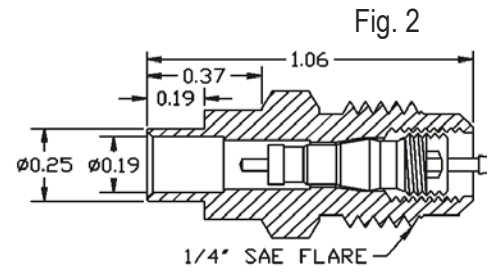
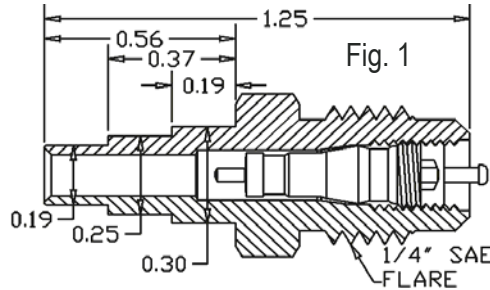
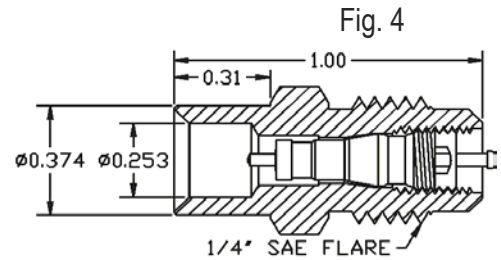
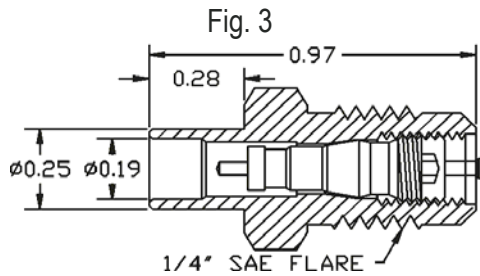


AV Series 1/4" SAE

Cat. No. (5) Pack	Product Type	Fig. No.
F6169	AV2-456	1
F6141	AV3-346	2
F6142	AV-34	3
F6143	AV-46	4

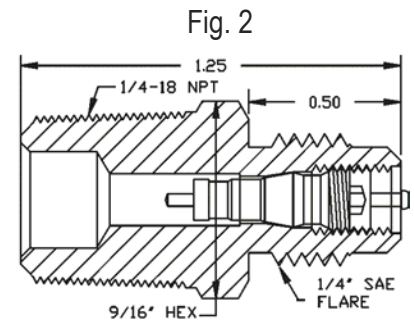
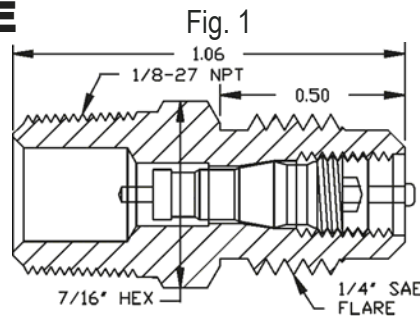


Cat. No. (100) Pack	Product Type	Fig. No.
F6294	AV2-456	1
F6290	AV3-346	2
F6296	AV-34	3
F6291	AV-46	4

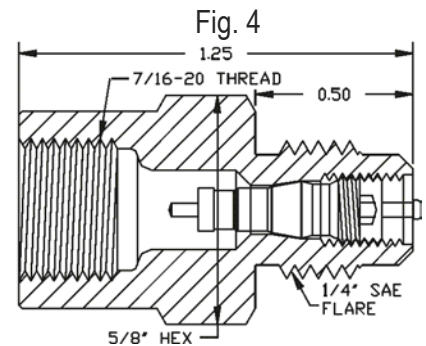
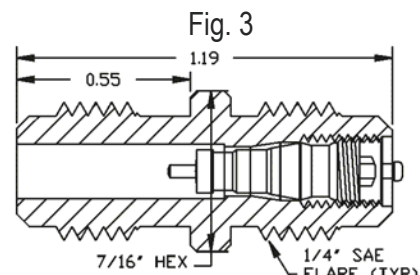


AVU Series 1/4" SAE

Catalog Number	Pack Qty.	Product Type	Fig. No.
F6144	(5)	AVU-24	1
F6145	(5)	AVU-45	2
F6214	(4)	AVU-4	3
F6215	(4)	AVU-44	4



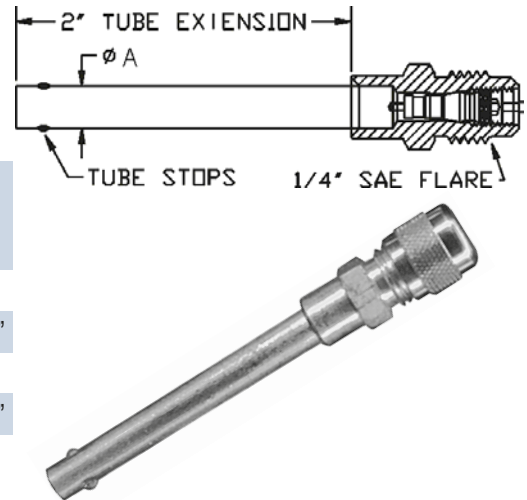
Catalog Number	Pack Qty.	Product Type	Fig. No.
F6289	(100)	AVU-24	1
F6287	(100)	AVU-45	2
F6286	(100)	AVU-4	3
F6295	(100)	AVU-44	4



AVX Series Access Fittings

- Standard 1/4" SAE Male Flare Connections
- Built in Valve Core and Brass Caps
- 2" Extended End Tube with Tube Stops To Prevent Flow Restriction

Product Type	Catalog Number (5) Pack	Catalog Number (100) Pack	Cat. No. W/Core Remover Cap (5) Pack	Cat. No. W/Core Remover Cap (100) Pack	A
AVX-2	F6146	F6297	F6248	F6302	1/8"
AVX-3	F6147	F6292	F6250	F6303	3/16"
AVX-4	F6148	F6298	F6252	F6304	1/4"
AVX-5	F6178	F6293	F6254	N/A	5/16"
AVX-6	F6216	F6299	F6256	N/A	3/8"



AVT/S Series Access Fittings

- Standard 1/4" SAE Male Flare Connections & Built in Valve Core and Brass Caps

Product Type	Catalog Number (3) Pack	Catalog Number (100) Pack	Fig. No.	Product Description & Size
AVT-34	F6225	F6221	1	1/8" MPT x 1/4" MF on Run x 1/4" SAE on Branch
AVT-44	F6227	N/A	2	1/4" MF T valve w/2 Valve Cores
AVS-4	F6247	F6249	3	1/4" MF access by Swivel Nut on run
AVS-44	F6218	F6231	4	1/4" MF x Swivel Nut on Run x 1/4" MF on Branch
AVS-64	F6219	F6272	5	1/4" MF x 1/4" Access on Run x Swivel Nut on Branch

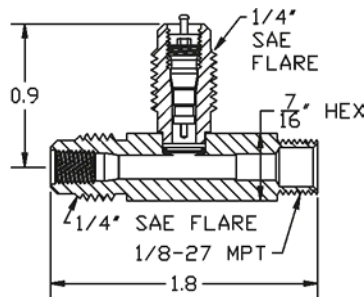
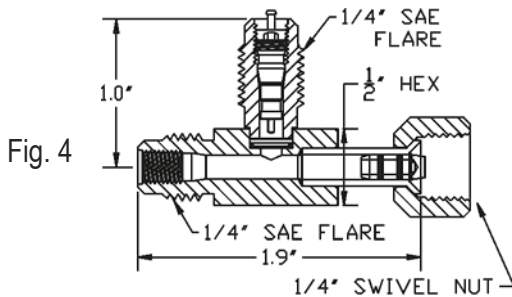


Fig. 1

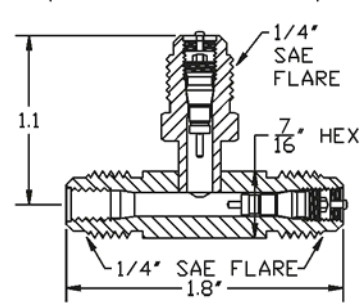
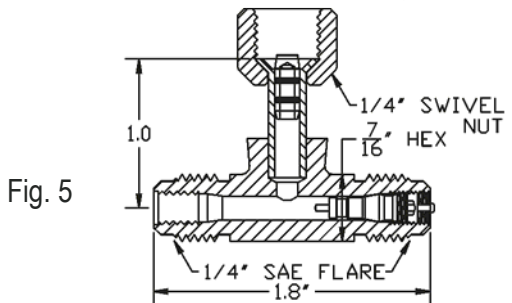


Fig. 2

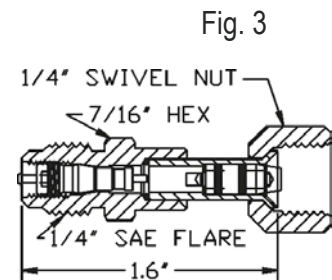
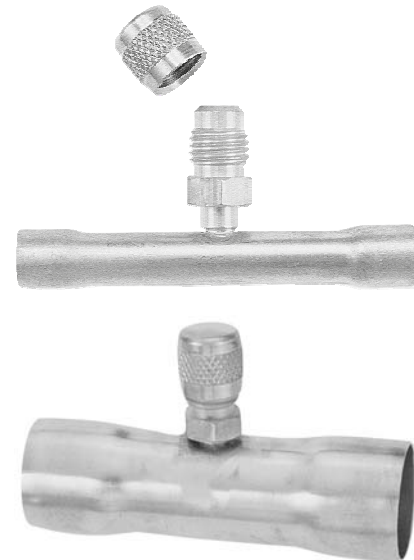
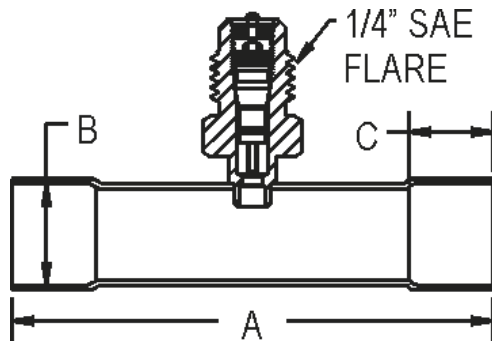


Fig. 3

AVT / AVW Series

- Standard 1/4" SAE Male Flare Connections
- Built in Valve Core and Brass Caps



Product Type	Catalog Number	Qty.	Catalog No. (100 Pack)	A In Inches	B In Inches	C In Inches	Product Description & Size
AVT-4	F6222	(3)	F6283	2 3/4	1/4	N/A	1/4" OD Tube or 3/8" Solder
AVT-5	F6223	(3)	N/A	2 15/16	5/16	N/A	5/16" OD Tube or 3/8" Solder
AVT-6	F6224	(3)	F6191	3	3/8	5/16	3/8" OD Tube or 1/2" Solder
AVW-8	F6241	(2)	N/A	2 1/2	1/2	7/16	1/2" OD x tube x 1/4" MF
AVW-10	F6244	(2)	N/A	2 1/2	5/8	1/2	5/8"OD x tube x 1/4"MF
AVW-12	F6245	(2)	N/A	2 3/4	3/4	5/8	3/4"OD x tube x 1/4" MF
AVW-14	F6246	(1)	N/A	3	7/8	3/4	7/8"OD x tube x 1/4" MF

PS/PSMC Series Pressure Controls

- Used as Cycling or Safety Devices w/18 Inch Wire Leads
- 1/4" SAE Female Connection
- Hermetically Sealed



Product Type	Catalog Number	Pressure Open/Close	Reset Type	MWP	Product Type	Catalog No.	Pressure Open/Close	Reset Type	MWP
PS-LP05-20	F5731	5/20 PSI	Auto	250	PS-HP300-200	F5733	300/200 PSI	Auto	600
PS-LP10-25	F5699	10/25 PSI	Auto	250	PS-HP350-250	F5679	350/250 PSI	Auto	600
PS-LP25-50	F5732	25/50 PSI	Auto	250	PS-HP400-300	F5680	400/300 PSI	Auto	600
PS-LP25-80	F5677	25/80 PSI	Auto	500	PS-HP400-200	F5681	400/200 PSI	Auto	600
PS-LP40-80	F5678	40/80 PSI	Auto	500	PS-HP450-250	F5682	450/250 PSI	Auto	600
PS-HP200-150	F5708	200/150 PSI	Auto	500	PSMF-HP410	F5709	—	Manual	—
PS-HP250-150	F5711	250/150 PSI	Auto	500	PSMC-HP440	F5710	—	Manual	—