

CHECK VALVES

MAGNI-CHEK™



Magni-Chek™ Check Valve & Muffler

Our Copper-Spun Check Valve/Muffler is designed to make the Bristol Benchmark Compressor compliant to a SEER 13 rating.



Catalog Number	Product Type	O.D. Tube Size	Valve Diameter	Lay-In Length
F7676	MSM-11	1/2"	1-5/8"	7-7/8"

Solid Brass Magni-Chek™ Check Valves

- **Leak Proof** Magnetic Checking Actions—No spring or ball to wear out
- **Mount in any position**
- **Body** is manufactured from solid brass
- **Available** in Flare, Solder or Both
- **The Choice of More OEM Manufacturers** than any other valve.

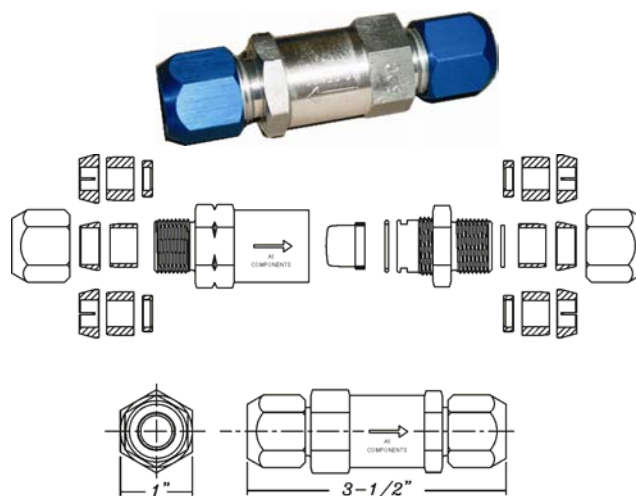


Catalog Number	Product Type	Body Size	Tube Input Size	Valve Seat Diameter	Valve Seat IN ²	Opening Pressure PSI	Weight lbs
F6317	MTS-4	1" Hex	1/4"	.462"	.168"	1	.27
F6318	MTS-6	1" Hex	3/8"	.462"	.168"	1	.30
F6319	MTS-8	1" Hex	1/2"	.462"	.168"	1	.34

Universal Automotive In-Line Filter Kit

A Low Cost and Unique Method To Insure Automotive Air Conditioning System Repair Reliability.

- **Kit Includes** Anodized Aluminum Main Filter Housing.
- **Fits** 5/16 , 3/8 and 1/2 Inch Tube
- **Captures and retains damaging debris** in the A/C system
- **Cutting or re-coupling of A/C Hose not Required**



Catalog No.	Product Type	Description
F7481	AF Filter	In-Line Filter

